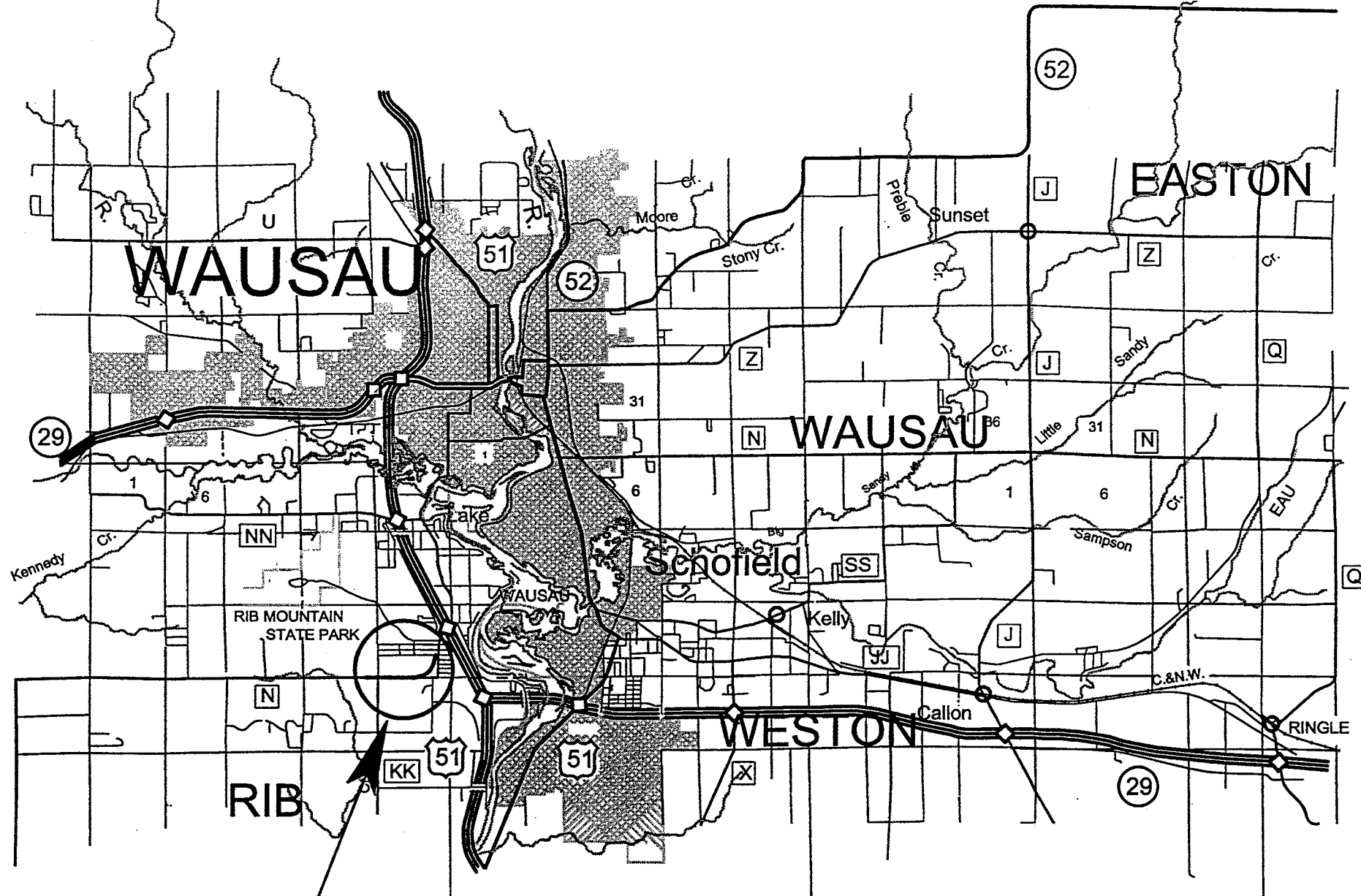
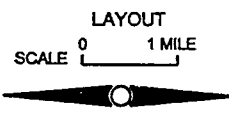


R/W PROJECT NUMBER	SHEET NUMBER	TOTAL SHEETS
FEDERAL PROJECT NUMBER		
CORRIDOR MAP FOR:		
CTH N		
CTH KK TO LILY LANE		



PROJECT LOCATION



NOTE:
ALL COORDINATES SHOWN ARE ON THE
MARATHON COUNTY COORDINATE SYSTEM.

APPROVED FOR
TOWN OF RIB MOUNTAIN
BY
9/11/01 *Ray Heiser*
(Date) Ray Heiser, Chairman

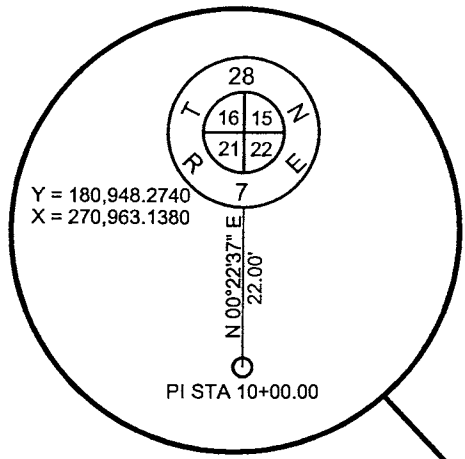
APPROVED FOR
MARATHON COUNTY
BY
9/11/01 *Glenn Spelch*
(Date) Glenn Spelch, Highway Commissioner

ORIGINAL PLANS PREPARED BY
CENTRAL WISCONSIN ENGINEERS
& ARCHITECTS, INC.

9/11/01 *Ray R. Gumbel*
(Date) Ray R. Gumbel

REVISION DATE

STATE OF WISCONSIN
DEPARTMENT OF TRANSPORTATION



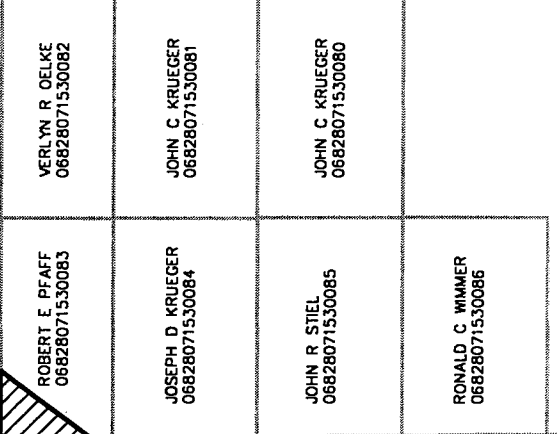
Y = 180,948.2740
X = 270,963.1380

PI STA 10+00.00

HAROLD J HALL
06828071640995

BITTERSWEET RD

STRAWBERRY LN



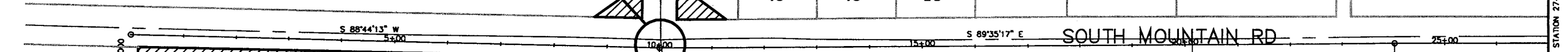
RONALD C. WIMMER
06828071530160

MARY A. RADER
06828071530999

WAYNE A. SZYMANSKI
06828071530998

TOWN OF RIB MOUNTAIN 06828071530993

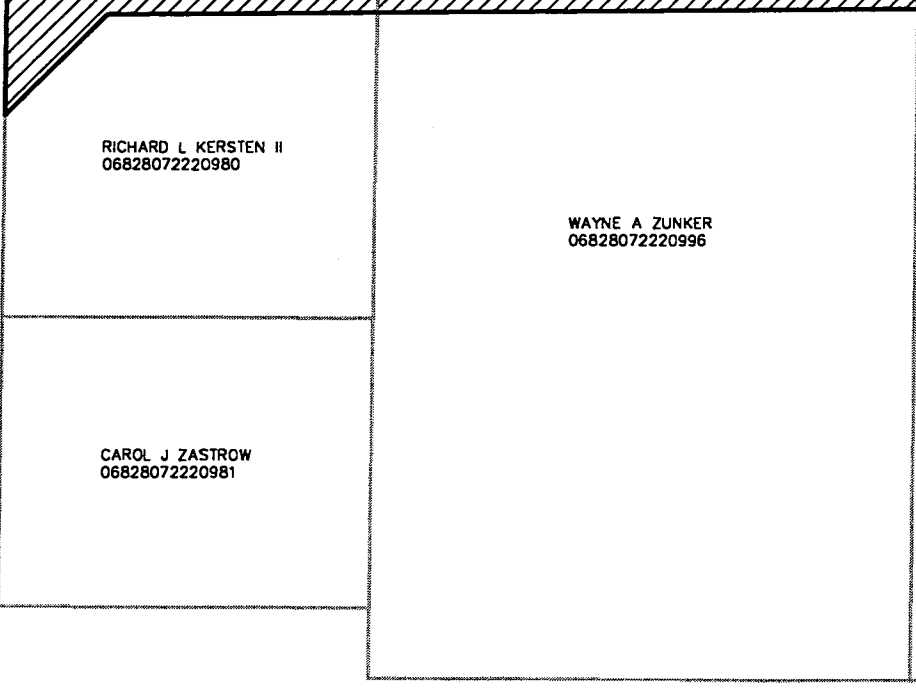
TOWN OF RIB MOUNTAIN
06828071530994



RANDALL M. BLASCHKA
06828072110995

RONALD C. WIMMER
06828072110999

CTH KK



MAGNOLIA

BEVERLY A. MEIER
06828072220994

WILLARD ZASTROW
06828072220992

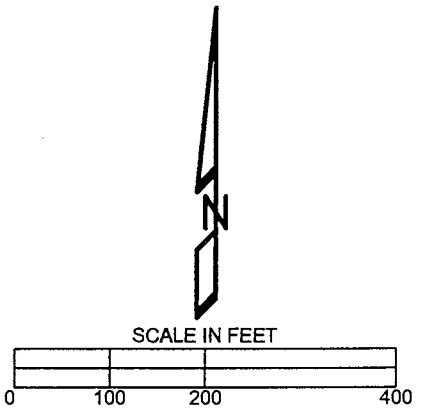
JOHN AKEY
06828072220991

FRED DOEPKE JR
06828072220999

MATCH LINE STATION 27+00

LEGEND

ADDITIONAL RIGHT-OF-WAY CORRIDOR REQUIRED



MATCH LINE STATION 27+00

MATCH LINE STATION 53+00

TOWN OF RIB MOUNTAIN 06828071530993

TOWN OF RIB MOUNTAIN 06828071530994

JOHN P REMINGTON
06828071540951

CURVE #1
PI STA 47+67.01 AH
PI STA 44+70.05 BK
DELTA = 85°00'56"
D = 06°44'26"
T = 779.09'
L = 1261.23'
R = 850.00'

PT Sta 42+11.2135
BOP Sta 07.000000

PT Sta 52+49.1485

RANDALL S SELTRECHT
06828071540158

CHAD O KNIGHT
06828071540159

SARA M REMINGTON
06828071540957

SARA M REMINGTON
06828071540956

LOWELL A BRAATZ
06828071540953

GARY E SCHMITZ
06828071540952

SHARON R KALIEBE
06828071540954

JAMES A BODENHEIMER 06828071540059	BARBARA J FROELICH 06828071540058	DAVID E RUNZHEIMER 06828071540057	PHILIP C BLASCHKA 06828071540056
THOMAS D GMDT 06828071540060	CLIFFORD W SULZER 06828071540061	ARLINGTON C ERMERLING 06828071540062	ROBERT L MCCABE 06828071540063

PANSY LN

LARRY LEE ROSENAU 06828071540980	THOMAS R GOETZ 06828071540979	BRUCE E SLAMINSKI 06828071540978
-------------------------------------	----------------------------------	-------------------------------------

FLAX LN

ALBERT L MILLNER 06828071540985	JEAN M PAGEL 06828071540984	ANTHONY A PUPP 06828071540983	NANCY A ZIEK 06828071540972
------------------------------------	--------------------------------	----------------------------------	--------------------------------

LYLE R AMENT 06828071540966	RICHARD L BERG 06828071540962	WILLIAM H GONSEN 06828071540973
--------------------------------	----------------------------------	------------------------------------

DUANE J WILSON 06828072210011	KEITH J RAASCH 06828072210989	ROBERT V LIKES 06828072210985	ALLEN L LARSEN 06828072210984
----------------------------------	----------------------------------	----------------------------------	----------------------------------

DAVID G DECKELMAN 06828072210015	DAVID G YARDO 06828072210014	GARY VENTZKE 06828072210003	DANIEL J SHERFINSKI 06828072210004
-------------------------------------	---------------------------------	--------------------------------	---------------------------------------

SOUTH MOUNTAIN RD

SOUTH MOUNTAIN RD

SOUTH MOUNTAIN RD

S 89°55'30" E 30+00 S 89°14'37" E 49+00

CURVE #2
PI STA 3+39.69 AH
PI STA 3+28.45 BK
DELTA = 39°14'32"
D = 14°19'26"
T = 142.60'
L = 273.96'
R = 400.00'

PT Sta 4+71.0495

JEAN LATTYAK
06828072210983

DENFELD CONSTRUCTION INC
06828072210988

DENFELD CONSTRUCTION INC
06828072210958

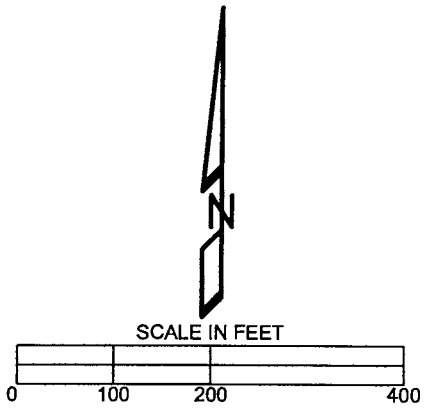
FRED DOEPKE JR
06828072220999

PI Sta 36+38.0843

PC Sta 39+87.9169

LEGEND

 ADDITIONAL RIGHT-OF-WAY CORRIDOR REQUIRED



LYLE S ASCHEBROOK
06828072210961

DANIEL E MALM 06828072210974	STEPHEN E SCHWEICKHARDT 06828072210973	ALBON R SONNENTAG 06828072210979	JAMES L BITTKE 06828072210962
---------------------------------	---	-------------------------------------	----------------------------------

ORCHID LN

DAVID B KORDELSKI 06828072210019	MARK A MCKINLEY 06828072210977
-------------------------------------	-----------------------------------

DAVID E KRAMER 06828072210026	SHARON A BOEHM 06828072210975
----------------------------------	----------------------------------

THOMAS C CLARK 06828072210020	MAXINE M STEINKE 06828072210976
----------------------------------	------------------------------------

HILARY A NOWACKI 06828072210021	PC Sta 13+54.5084
------------------------------------	-------------------

DUANE J WILSON
06828072210011

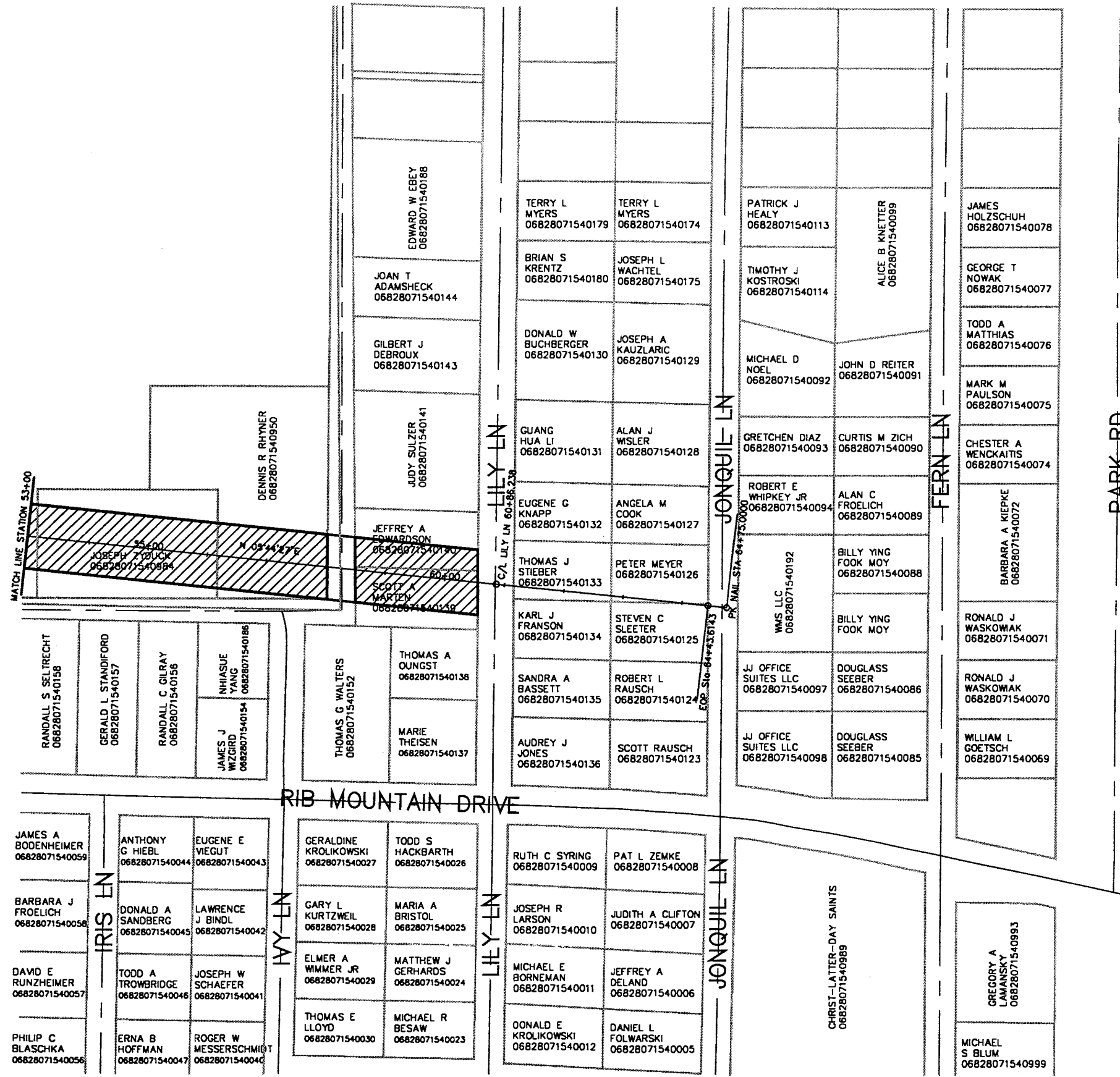
TOWN OF RIB MOUNTAIN 06828072210012	TOWN OF RIB MOUNTAIN 06828072210013	KEITH J RAASCH 06828072210989	ROBERT V LIKES 06828072210985	ALLEN L LARSEN 06828072210984
--	--	----------------------------------	----------------------------------	----------------------------------

DAVID G DECKELMAN 06828072210015	DAVID G YARDO 06828072210014	GARY VENTZKE 06828072210003	DANIEL J SHERFINSKI 06828072210004
-------------------------------------	---------------------------------	--------------------------------	---------------------------------------

HOLLIBUSH LN

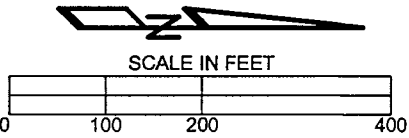
DENNIS DELONAY
06828072210035

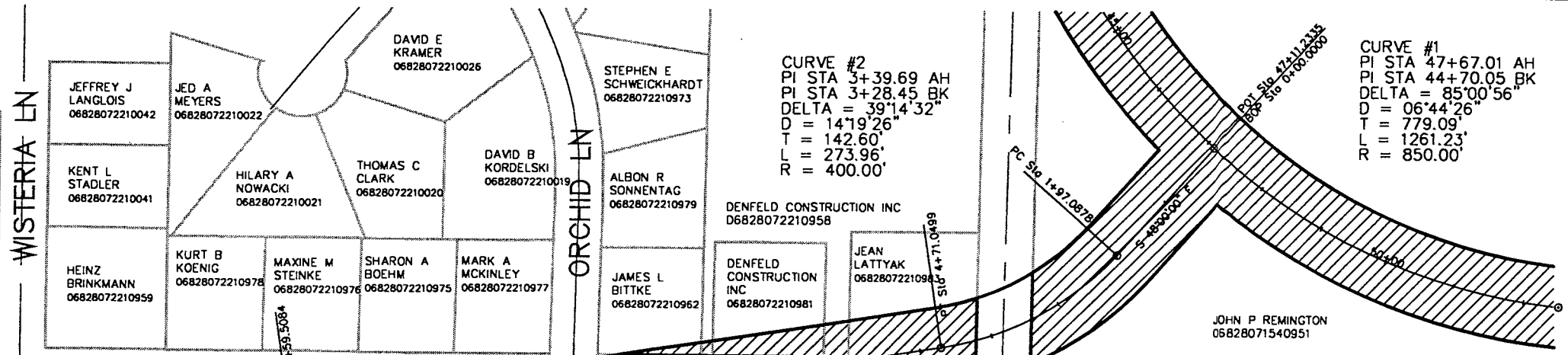
BROOKFIELD LN



LEGEND

 ADDITIONAL RIGHT-OF-WAY CORRIDOR REQUIRED





CURVE #1
 PI STA 47+67.01 AH
 PI STA 44+70.05 BK
 DELTA = 85°00'56"
 D = 06°44'26"
 T = 779.09'
 L = 1261.23'
 R = 850.00'

PATRICK E JENSEN
 06828072210060

SALEEM SURTI
 06828072210061

STEPHAN R SCHLOSSER
 06828072210949

JOHN L RUDOLPH
 06828072210062

JEFFREY J LANGLOIS
 06828072210042

KENT L STADLER
 06828072210041

HEINZ BRINKMANN
 06828072210959

JED A MEYERS
 06828072210022

HILARY A NOWACKI
 06828072210021

KURT B KOENIG
 06828072210978

MAXINE M STEINKE
 06828072210976

THOMAS C CLARK
 06828072210020

SHARON A BOEHM
 06828072210975

MARK A MCKINLEY
 06828072210977

STEPHEN E SCHWEICKHARDT
 06828072210973

ALBON R SONNENTAG
 06828072210979

JAMES L BITTKE
 06828072210962

DENFELD CONSTRUCTION INC
 06828072210958

DENFELD CONSTRUCTION INC
 06828072210981

JEAN LATTYAK
 06828072210988

JOHN P REMINGTON
 06828071540951

PAUL W SZMANDA
 06828072210956

MARK A CZERNIANSKI
 06828072210991

KENNETH D THOMSEN
 06828072210034

DUANE J WILSON
 06828072210011

SHARON R KALIEBE
 06828071540954

GARY E SCHMITZ
 06828071540952

LOWELL A BRAATZ
 06828071540953

SARA M REMINGTON
 06828071540956

SARA M REMINGTON
 06828071540957

CHAD O KNIGHT
 06828071540199

DAVID G DECKELMAN
 06828072210015

TOWN OF RIB MOUNTAIN
 06828072210012

DAVID G YARDO
 06828072210014

TOWN OF RIB MOUNTAIN
 06828072210013

GARY VENTZKE
 06828072210003

KEITH J RAASCH
 06828072210989

DANIEL J SHERFINSKI
 06828072210004

ROBERT V LIKES
 06828072210995

ALLEN L LARSEN
 06828072210994

LYLE R AMENT
 06828071540966

ALBERT L MILNER
 06828071540965

JEAN M PAGEL
 06828071540964

RICHARD L BERG
 06828071540962

ANTHONY A PUPP
 06828071540963

WILLIAM H GONNSEN
 06828071540973

NANCY A ZITEK
 06828071540972

LARRY LEE ROSENAU
 06828071540980

THOMAS D CWDIT
 06828071540060

CLIFFORD W SULZER
 06828071540061

ARLINGTON C ERMERLING
 06828071540062

ROBERT L MCCABE
 06828071540063

DELOMAY FAMILY
 06828072210040

DENNIS DELONAY
 06828072210035

RIB MOUNTAIN DR

SOUTH MOUNTAIN RD

FLAX LN

PANSY LN

BROOKFIELD LN

HOLLIBUSH LN

WISTERIA LN

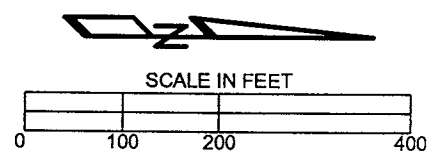
ORCHID LN

CLOVER

CURVE #3
 PI STA 20+87.76 AH
 PI STA 18+35.55 BK
 DELTA = 81°10'40"
 D = 06°44'26"
 T = 728.25'
 L = 1204.30'
 R = 850.00'

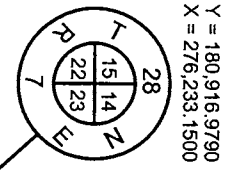
LEGEND

 ADDITIONAL RIGHT-OF-WAY CORRIDOR REQUIRED



PT Sta 25+63.8041

EOP Sta 29+22.0443



X = 276,233.1500
 Y = 180,916.9790