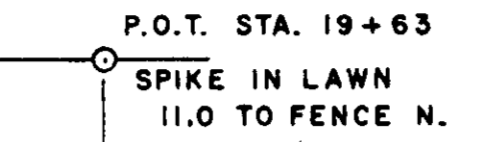
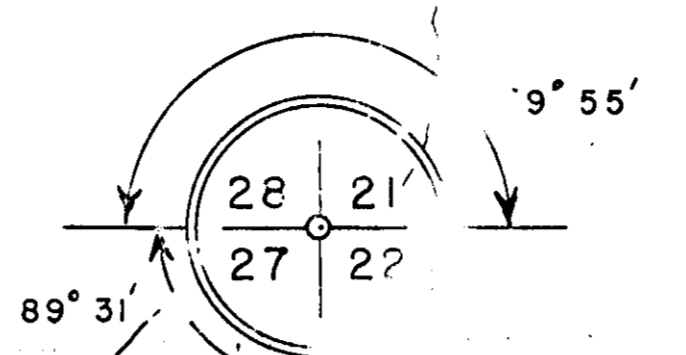
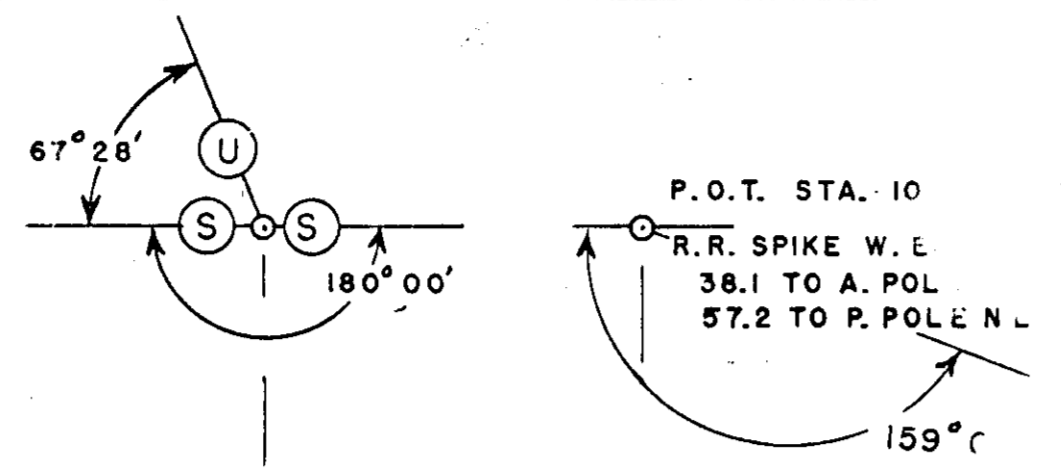
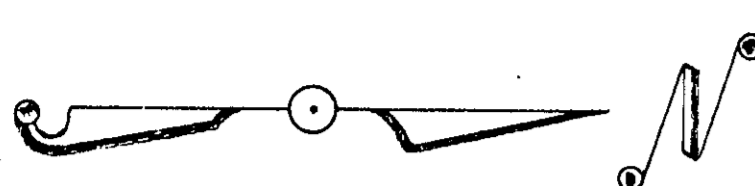


RIB FALLS BRIDGE TOWN OF RIB FALLS MARATHON COUNTY T 29N R 5E



BENCH MARKS			
1	8+10	TOP GAS CAP	30' R
2	11+20	TOP BOLT 2 SE COR. BR. CURB	
3	11+70	SPIKE IN 8" ELM	65' L
4	12+65	TOP PLATE NW ABUT. BR.	
5	13+75	SPIKE IN 6" ELM	40' L
6	14+54	TOP W. WELL CASING	39' L
7	19+80	SPIKE IN 10" SPRUCE	58' L

B.P.R. DIVISION	PROJECT	SHEET NUMBER	TOTAL SHEETS
5N			

PLAN
 SURVEYED BY C. E. COOK
 PLOTTED BY C. E. COOK
 NOTE BOOK NO. 12-52
 RT. OF WAY CHECKED

PROFILE
 SURVEYED BY C. E. COOK
 PLOTTED BY C. E. COOK
 NOTE BOOK NO. 12-52
 STRUCTURE NOTATIONS CHECKED

